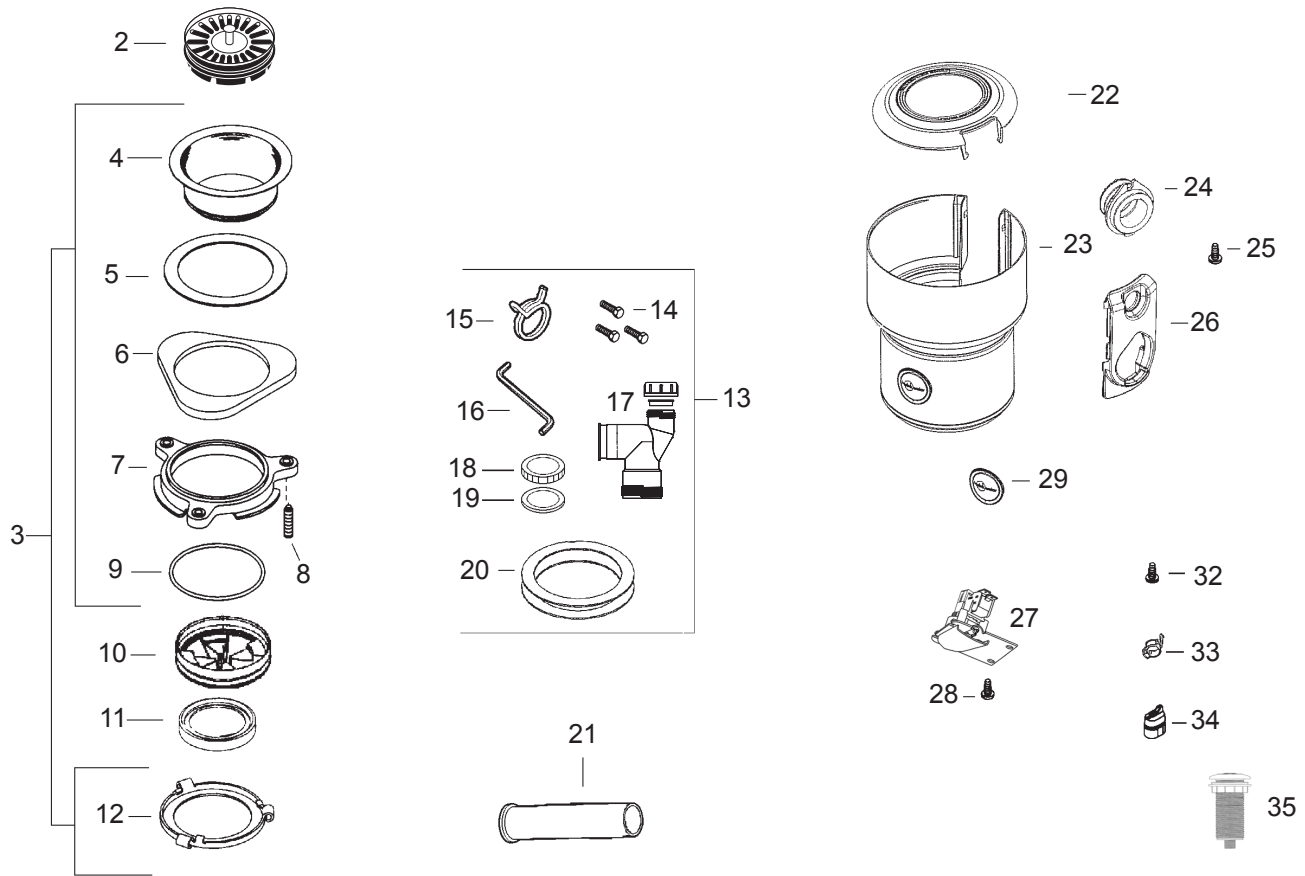




International Evolution Model 100™

100-1	UK	.7 HP	220-240V	50 HZ
100-2	EUR	.7 HP	220-240V	50/60 HZ
100-3	Aust/NZ	.7 HP	230-240V	50 HZ
100-4	Int'l	.75 HP	120V	60 HZ
100-7	China	.7 HP	220-240V	50 HZ

Warranty:	5 Year Warranty
Production Date:	06/2009
Engineer Number:	75230/A, B, C, J



ORDER BY PART NUMBER, NOT CODE NUMBER

CODE NO.	PART NO.	NO. REQ.	DESCRIPTION	CODE NO.	PART NO.	NO. REQ.	DESCRIPTION
1	74552LZZ	1	Installation/Accessory Box For 100-1, 100-2, 100-4, 100-7 (Includes Codes 2-20 & 35)	21	75220	1	12" Discharge Tube, 100-3 Only
	74552MZZ	1	For 100-3 (Includes Codes 2-21 & 35)	22	73695	1	Trim Shell Cap
2	75265	1	Stopper Assembly	23	75264ZZ	1	Trim Shell (Includes Code 29)
3	03173ED	1	Mounting Assembly (Includes Codes 4-9 & 12)	24	75499	1	Flex Coupler
4	10025P	1	Sink Flange	25	74129	1	Screw
5	01160	1	Fiber Gasket	26	73698	1	Boot
6	05150E	1	Backup Flange	27	75391	1	Air Switch Cover Assembly
7	05141	1	Mounting Flange	28	75567	1	Screw, 100-1, 2, 3, 7
8	74999	3	Backup Screws		75567A	1	Screw, 100-4
9	05166	1	Snap Ring	29	73786	1	Trim Shell Badge
10	74681A	1	Sink Baffle	30	75600	1	Cord Assy, 100-1 (Not Shown)
11	74054	1	Mounting Gasket		75601	1	Cord Assy, 100-2 (Not Shown)
12	05298	1	Body Flange		75602	1	Cord Assy, 100-3 (Not Shown)
13	75268	1	Installation Kit (Includes Codes 14-20)		72180	1	Cord Assy, 100-4 (Not Shown)
14	N/A	1	Kit (3 short screws)		75603	1	Cord Assy, 100-7 (Not Shown)
15	74701	1	Spring Clamp	31	75266	1	ICU Manual, 100-1 (Not Shown)
16	04577	1	Wrench		75283	1	ICU Manual, 100-2 (Not Shown)
17	N/A	1	Tailpipe		75266	1	ICU Manual, 100-3 (Not Shown)
18	N/A	1	Nut		75305	1	ICU Manual, 100-4 (Not Shown)
19	N/A	1	Seal		75283	1	ICU Manual, 100-7 (Not Shown)
20	08763	2	Gasket, Sink Flange	32	02466C	1	Screw, Ground, 100-1, 2, 3, 7
					02466A	1	Screw, Ground, 100-4
				33	73404	1	Guard, Overload, 100-1, 2, 3, 7
				34	70666	1	Bushing, 100-4
					70667	1	Bushing, 100-1, 2, 3, 7
				35	75430	1	Air Switch Transmitter Assy